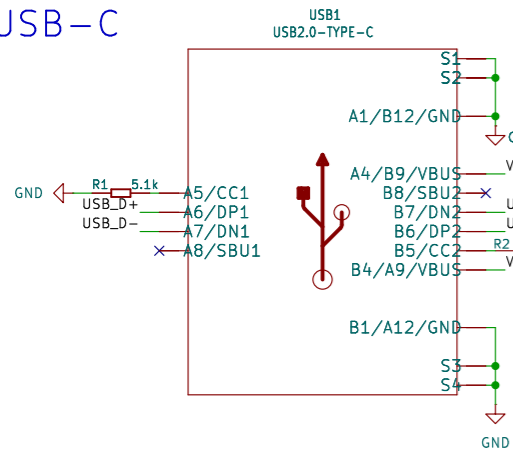
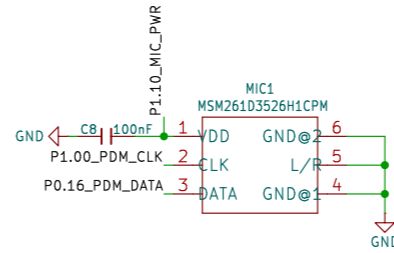


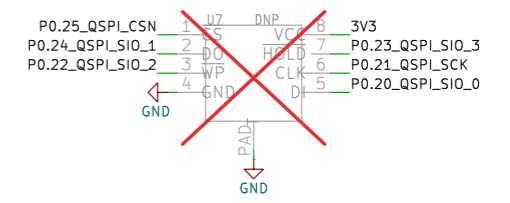
USB-C



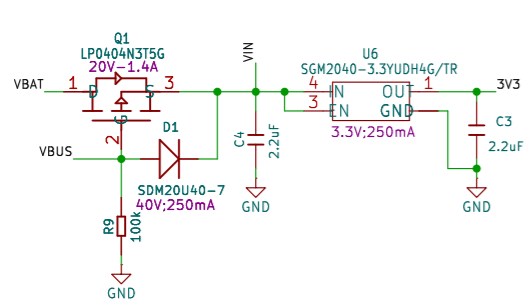
MIC



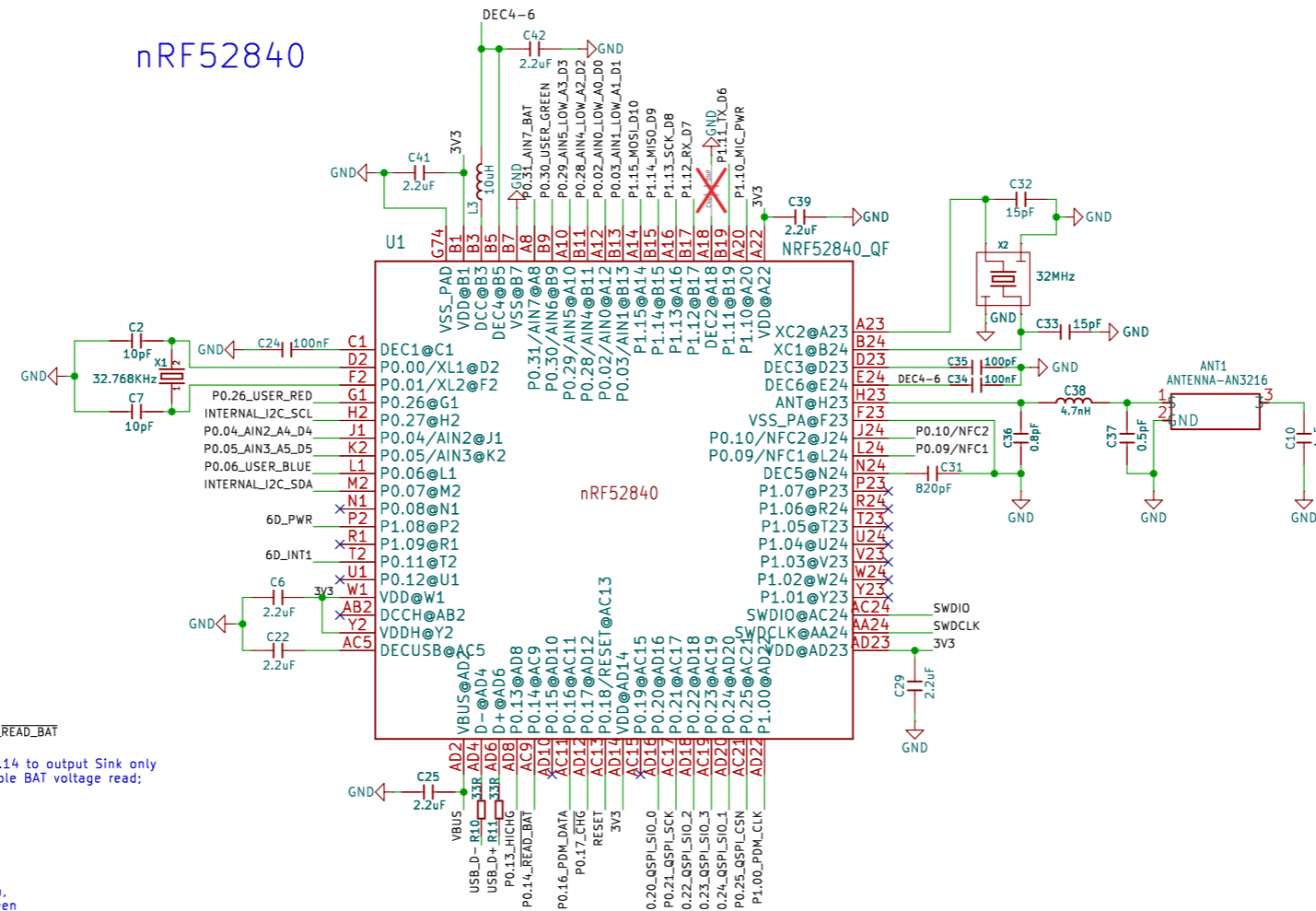
FLASH



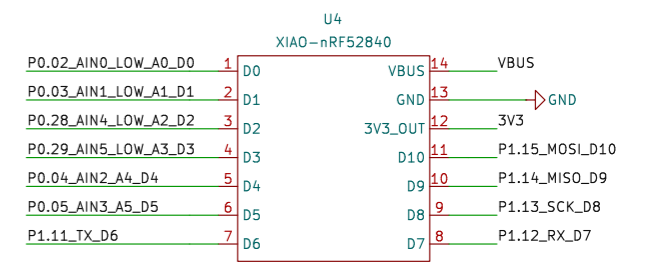
System 3.3V



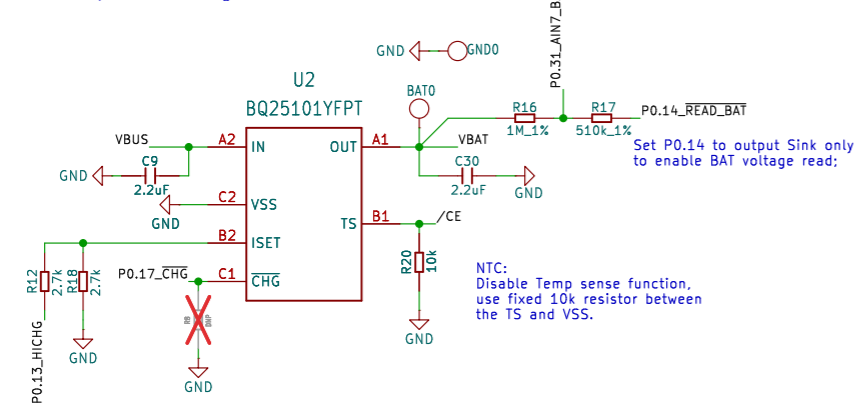
nRF52840



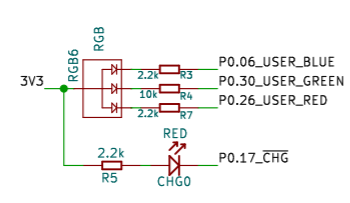
XIAO



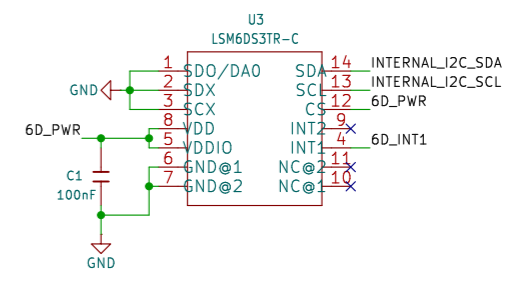
Battery charge



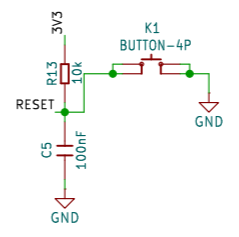
LED



Sensor



RESET



CC BY-SA 4.0