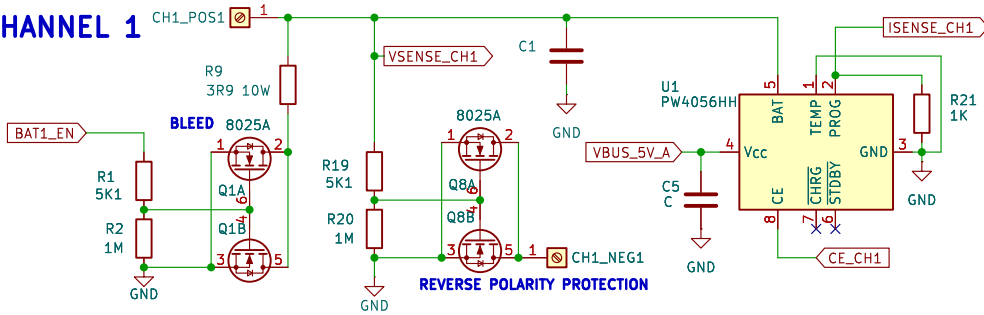
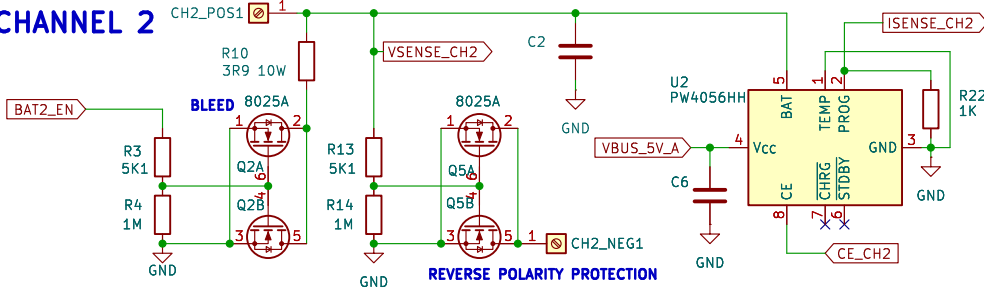


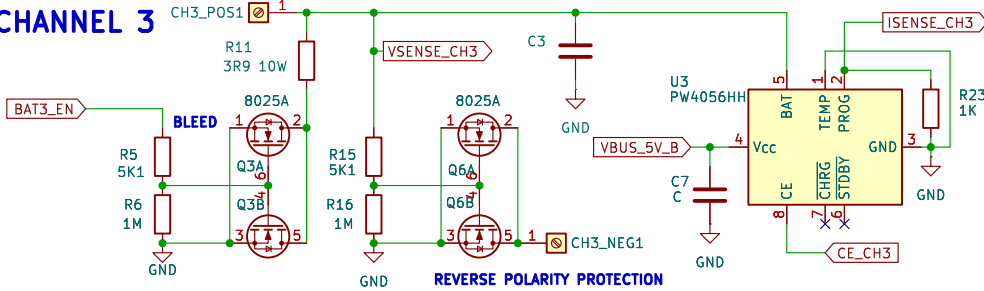
CHANNEL 1



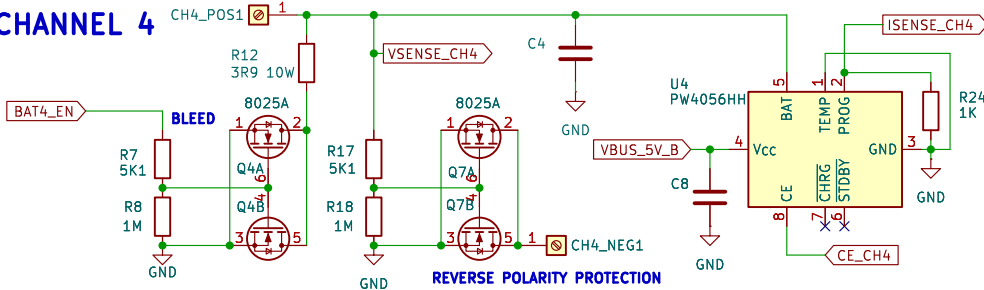
CHANNEL 2



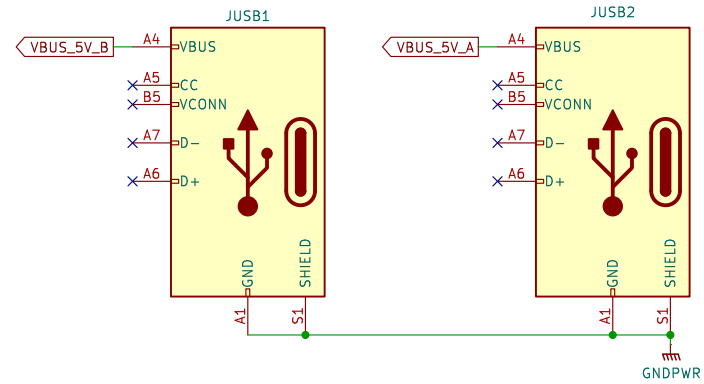
CHANNEL 3



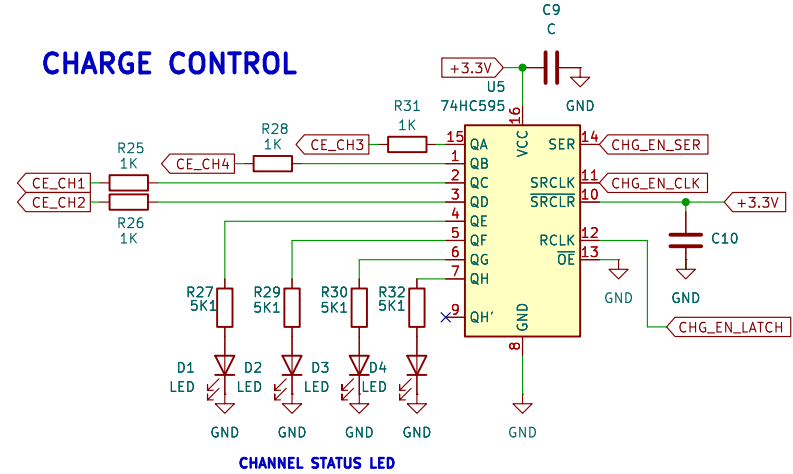
CHANNEL 4



VIN



CHARGE CONTROL



4-channel 18650 tester
 Traced by spleenharvester @ badcaps.net
 04/05/2025 V002

Sheet: /
 File: 4-Channel 18650 Tester.kicad_sch

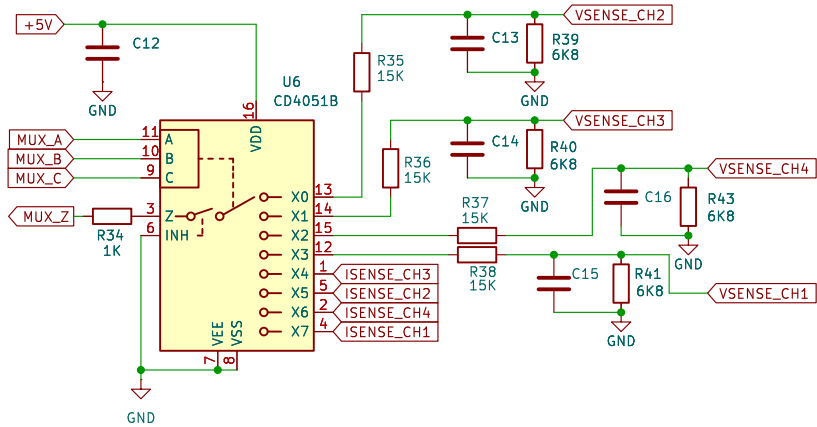
Title:

Size: A4
 KiCad E.D.A. 9.0.1

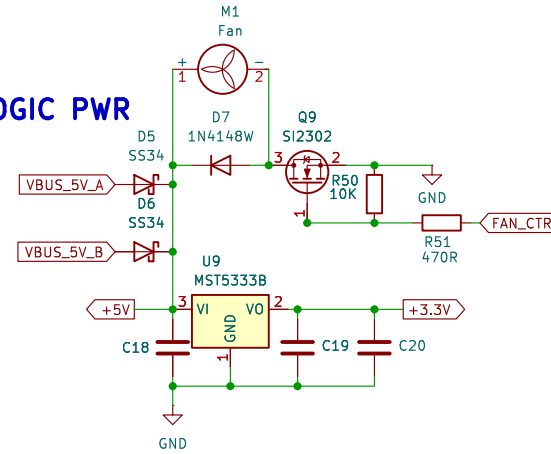
Date:

Rev:
 Id: 1/2

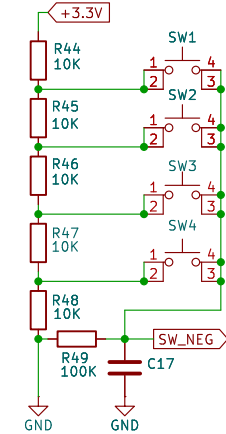
VOLTAGE AND CURRENT SENSE



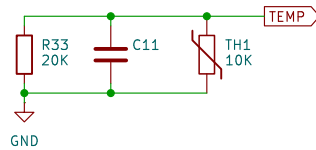
LOGIC PWR



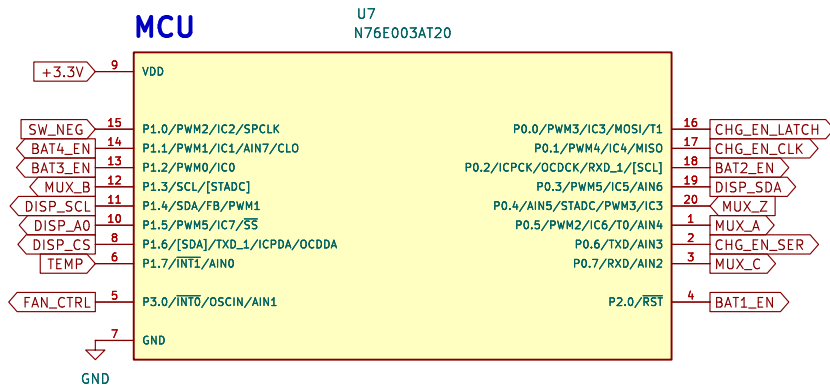
CONTROLS



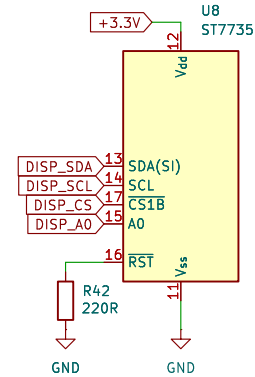
TEMP SENSE



MCU



DISP



4-channel 18650 tester
 Traced by spleenharvester © badcaps.net
 04/05/2025 V002

Sheet: /Page 2/
 File: Page 2.kicad_sch

Title:

Size: A4
 KiCad E.D.A. 9.0.1

Date:

Rev:
 Id: 2/2